

Mazda®

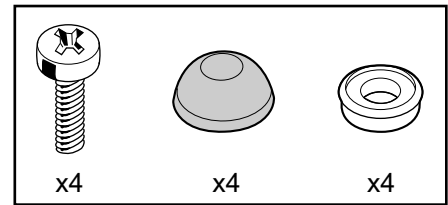
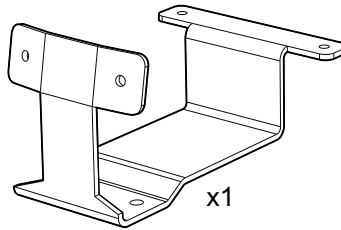
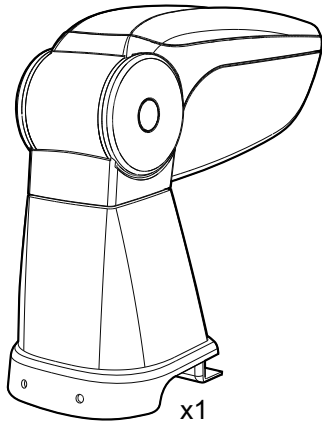
GENUINE ACCESSORIES
Installation Instructions

Part Number
0000-8D-P10

Arm Rest

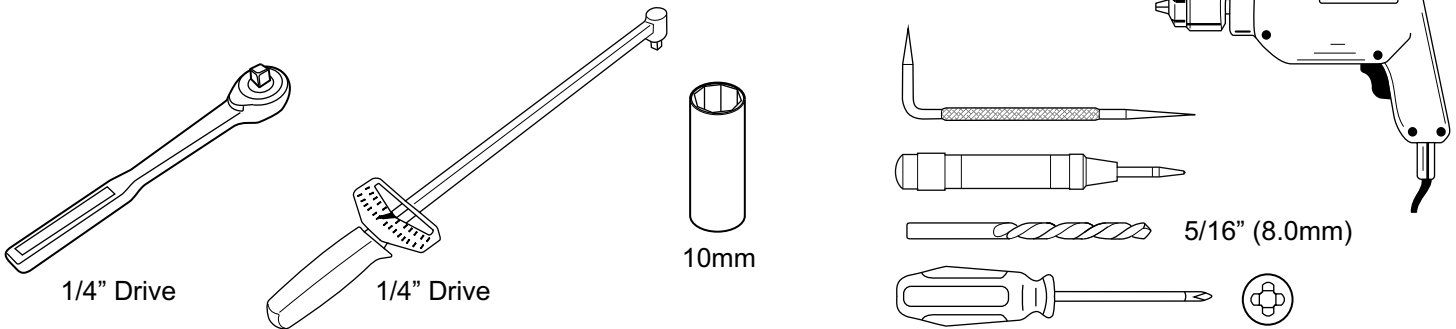
Applicable Vehicle
Mazda 2 2011>

Package Contents

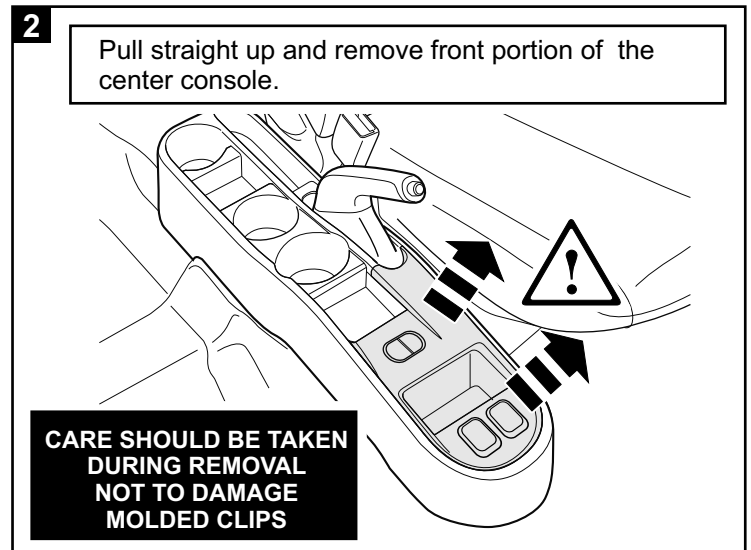
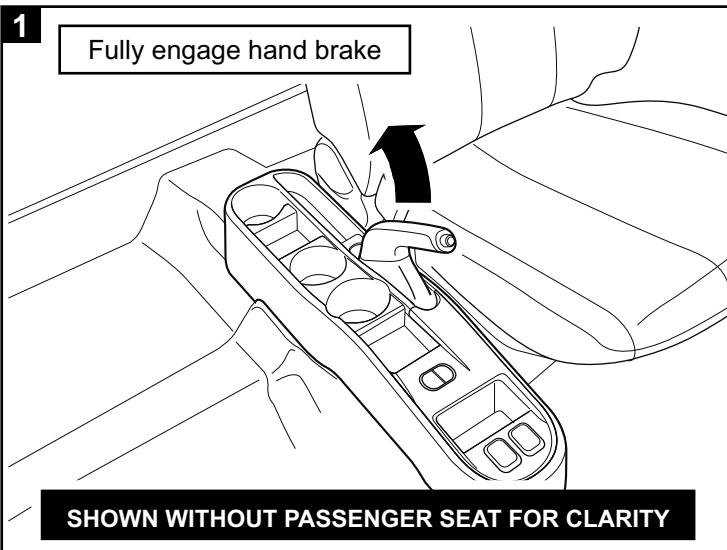


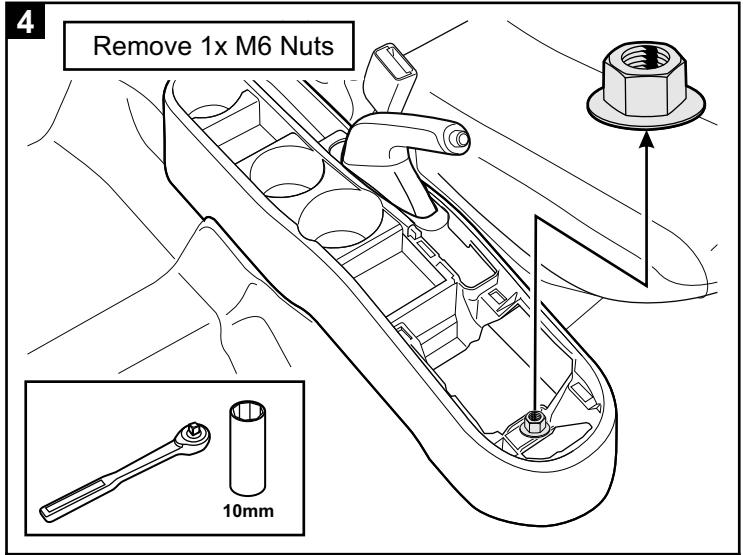
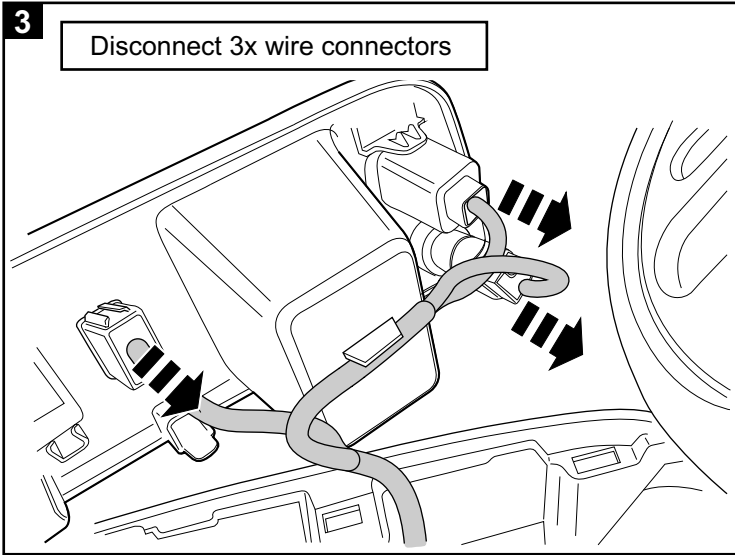
Service Kit 0000-8D-P11

Tools Required

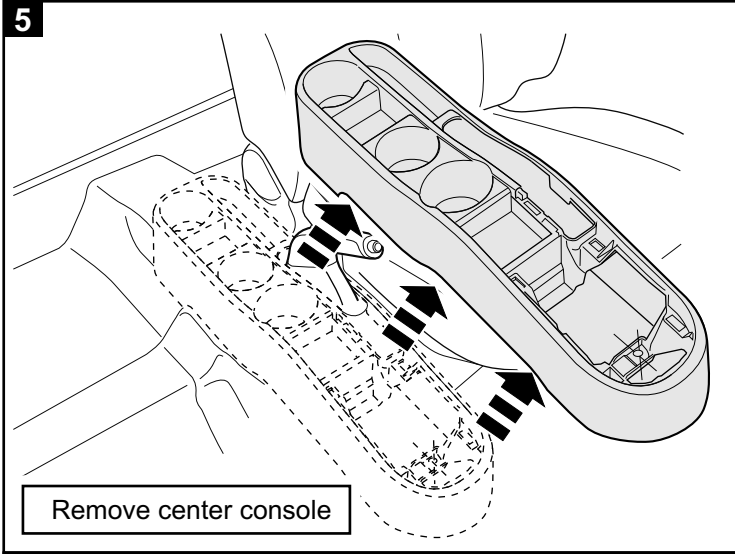


- 0** Notes before installation
Make sure to read the entire installation instructions before proceeding.
Make sure to follow the instructions carefully to ensure proper installation.

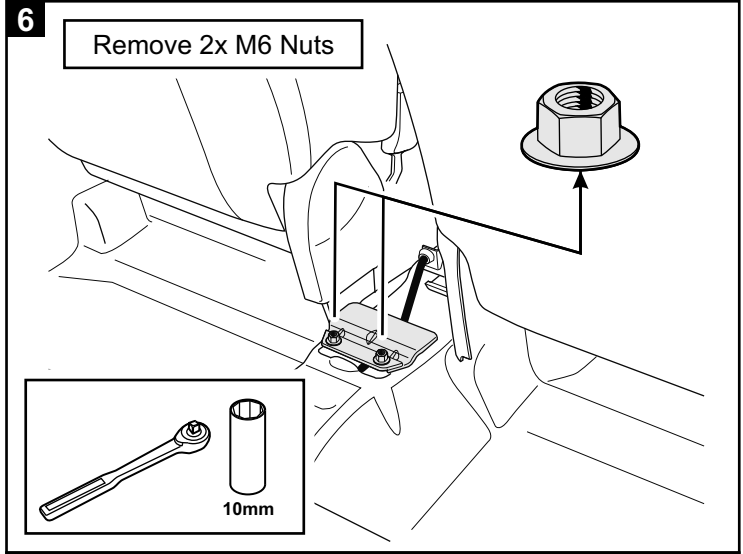




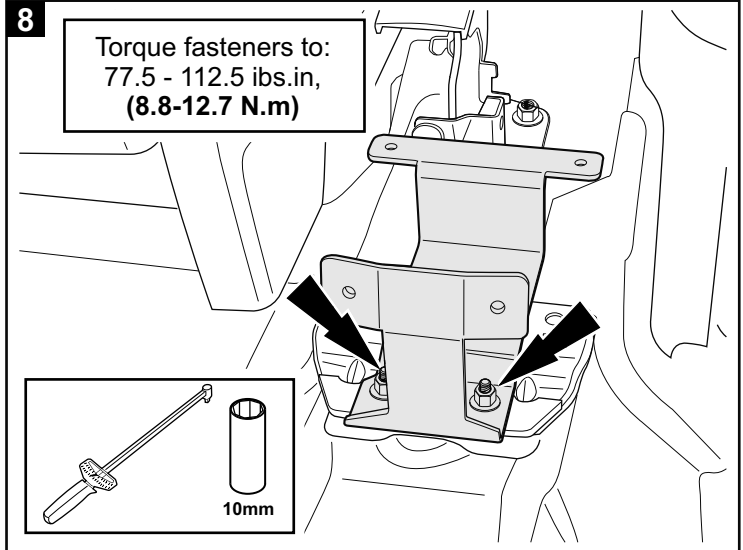
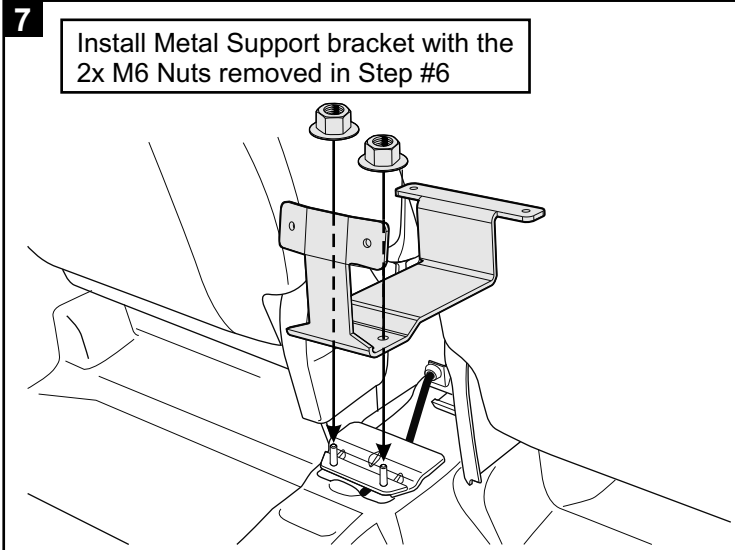
CARE SHOULD BE TAKEN NOT TO DAMAGE THE M6 NUT DURING REMOVAL



CARE SHOULD BE TAKEN NOT TO DAMAGE "CHRISTMAS TREE" CLIPS DURING REMOVAL

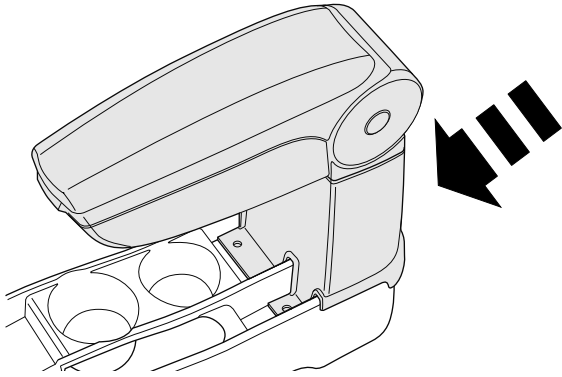


CARE SHOULD BE TAKEN NOT TO DAMAGE THE M6 NUTS DURING REMOVAL



9

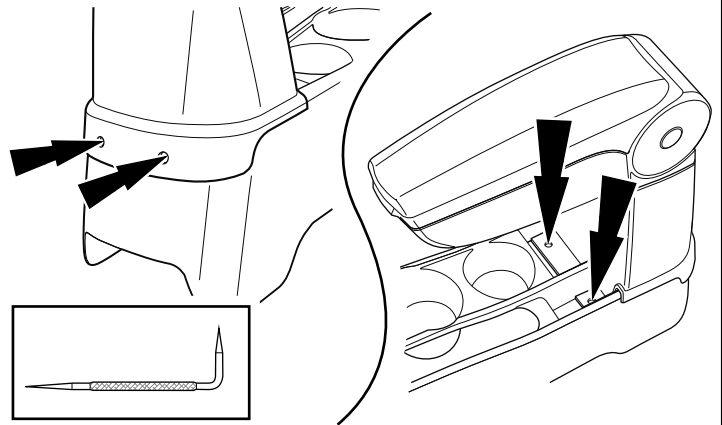
Outside of the vehicle,
place the armrest onto the center console.



MAKE SURE THAT THE ARMREST IS SEATED PROPERLY ONTO THE CENTER CONSOLE

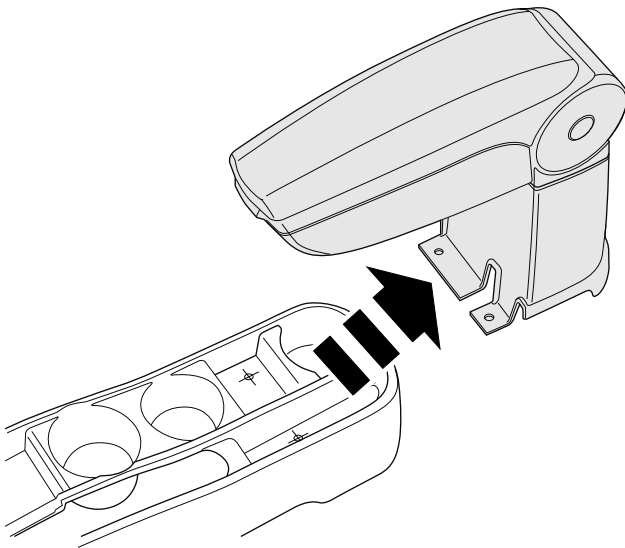
10

Mark the console through the Armrest at the
2x REAR and 2x FRONT locations.



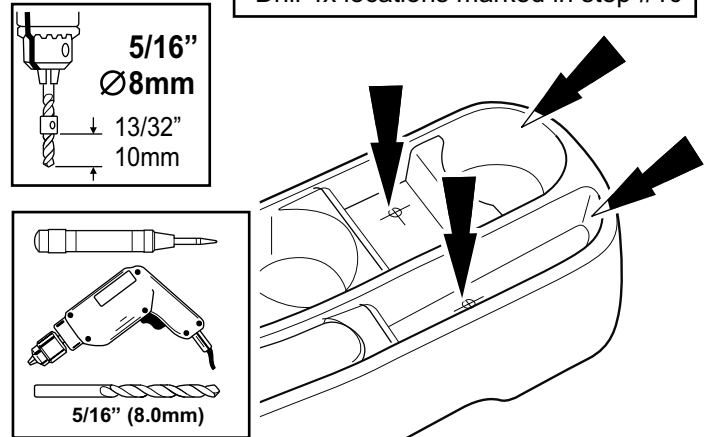
11

Remove armrest from the center console



12

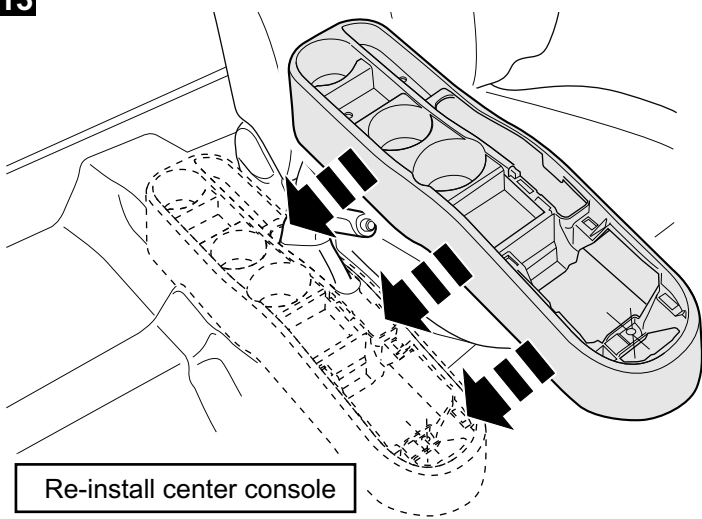
Drill 4x locations marked in step #10



CARE SHOULD BE TAKEN NOT TO DAMAGE CONSOLE WHILE DRILLING THE 4X HOLES. IT IS RECOMMENDED TO CENTER PUNCH THE 4X LOCATIONS BEFORE DRILLING. USE A DRILL STOP SET AT 3/8" (10mm).

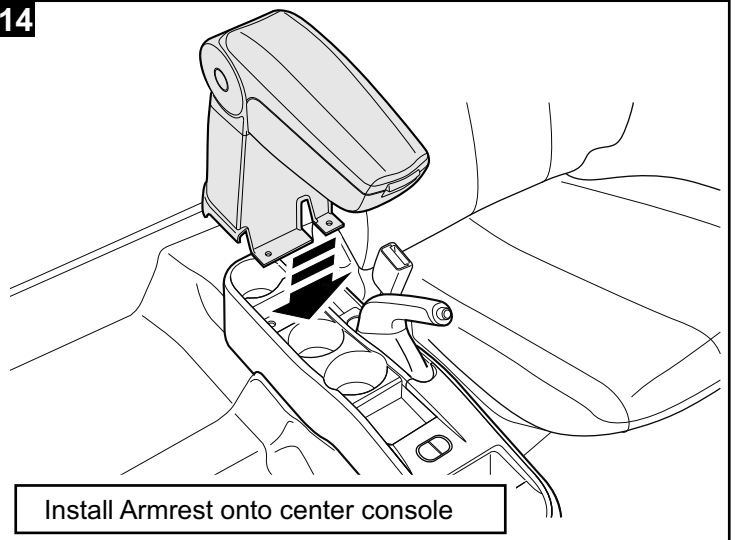
13

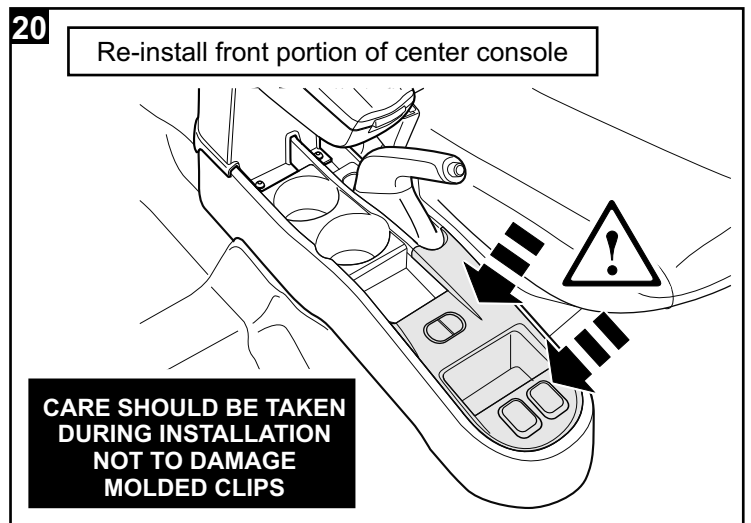
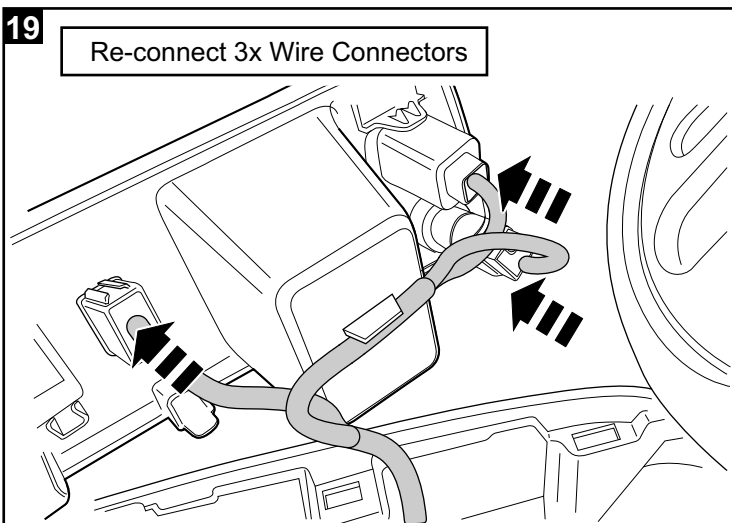
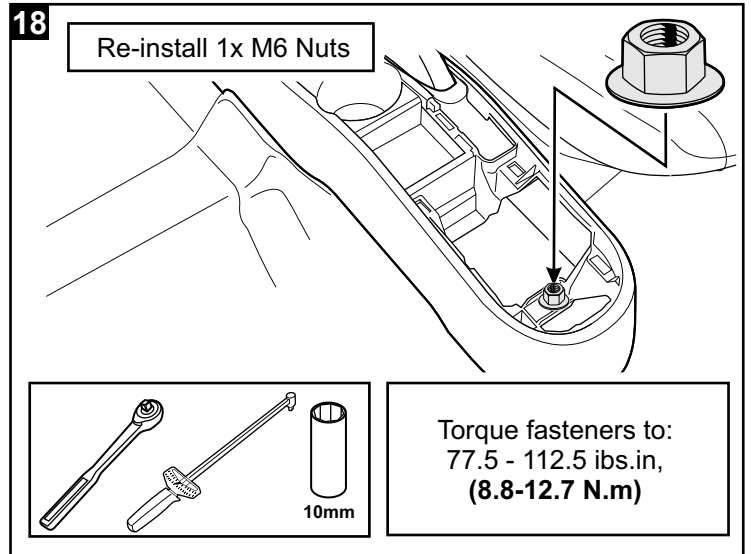
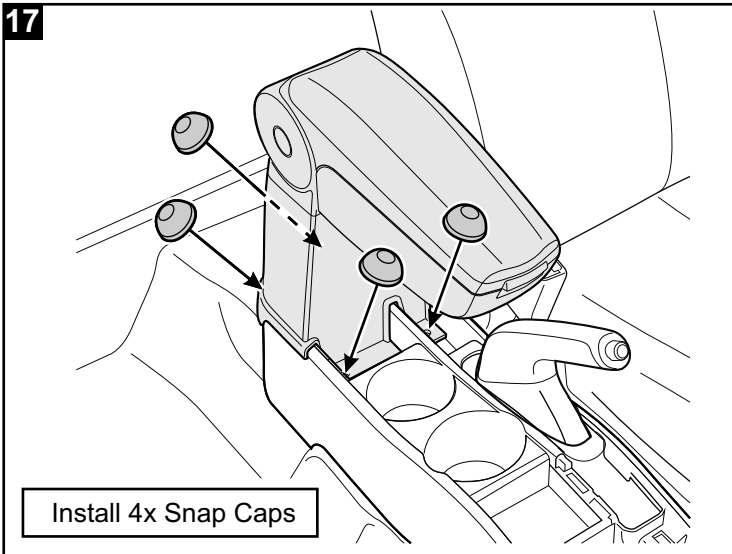
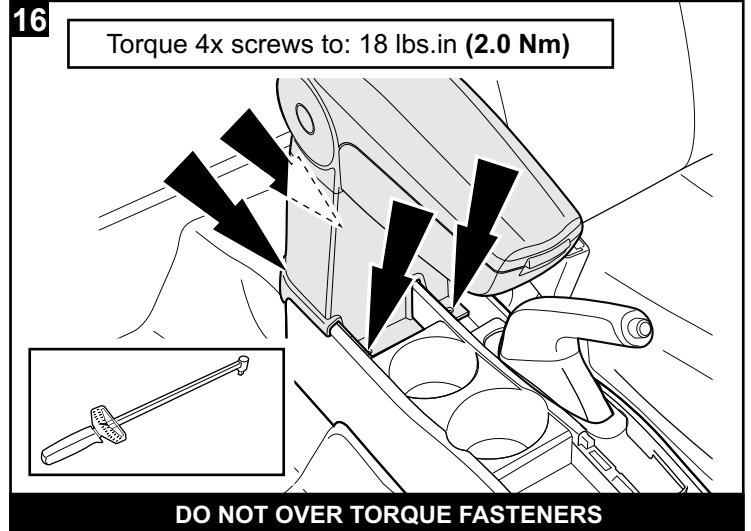
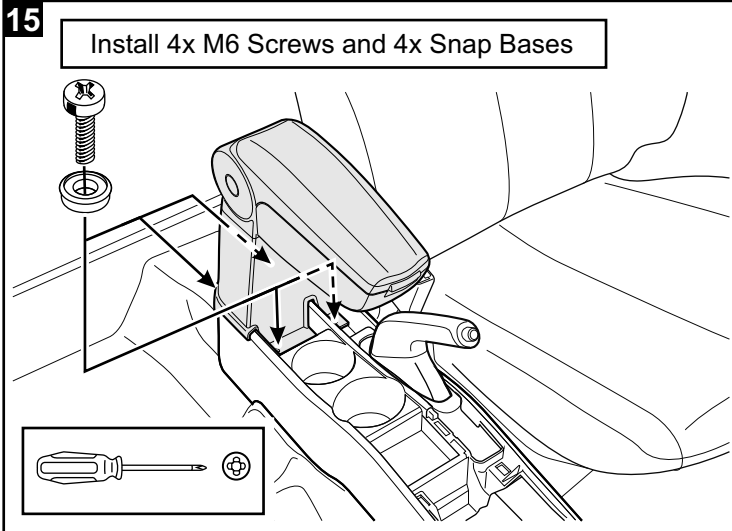
Re-install center console



14

Install Armrest onto center console





Congratulations! You have completed the installation of your Arm Rest.

Warning
Manufacturer will not be responsible for any damage to the product or vehicle due to accident or misuse.

Installation Inspection Sheet

(To be used by installation workshop)

Mazda 2	ARMREST
	2011 >

A. Re-installing the vehicle components

- Re-install all vehicles components in the reverse order they were removed.



CAUTION

- After installing the vehicle components, check for dirt. Clean any dirty parts.
- Check if the connectors have been securely connected.

CHECK

--

B. Inspection items after installation

- Inspect the installed parts and removed and re-installed parts following the items below.

Inspection Parts	Clearance / Fit	Scratches / Dirt Harness- interference	Installation / Tightening / Engagement	Operation Check
Center console (main)	<input type="radio"/>	<input type="radio"/>	<input type="radio"/>	
Center console (front piece)	<input type="radio"/>	<input type="radio"/>	<input type="radio"/>	
Door Lock / Un-lock function				<input type="radio"/>
Aux Power				<input type="radio"/>
Audio Input				<input type="radio"/>
Armrest mounting bracket	<input type="radio"/>	<input type="radio"/>	<input type="radio"/>	<input type="radio"/>
Armrest	<input type="radio"/>	<input type="radio"/>	<input type="radio"/>	<input type="radio"/>
4x M5 Fasteners			<input type="radio"/>	
3x M6 nuts (re-installed OE nuts)			<input type="radio"/>	
Snap caps (4x places)		<input type="radio"/>	<input type="radio"/>	

= applicable

C. Important check points

Procedure	Part Name	Specified Torque	Value when checked	Inspector (Name)
Step #8 (page 2)	2x - M6 Nuts	77.5 - 112.5 lbs.in, (8.8-12.7 N.m)	lbs.in (N.m)	
Step #16 (page 4)	4x - M5 Screws	18 lbs.in (2.0 N.m)	lbs.in (N.m)	
Step #18 (page 4)	1x - M6 Nut	77.5 - 112.5 lbs.in, (8.8-12.7 N.m)	lbs.in (N.m)	

Armrest Installation Inspection

Date						(year/month/day)										
VIN No.																
Approved						Checked						Prepared				

※ Retention period of the sheet: 3 years